



Dream Inverter Disassemble Guide

2016-8-27

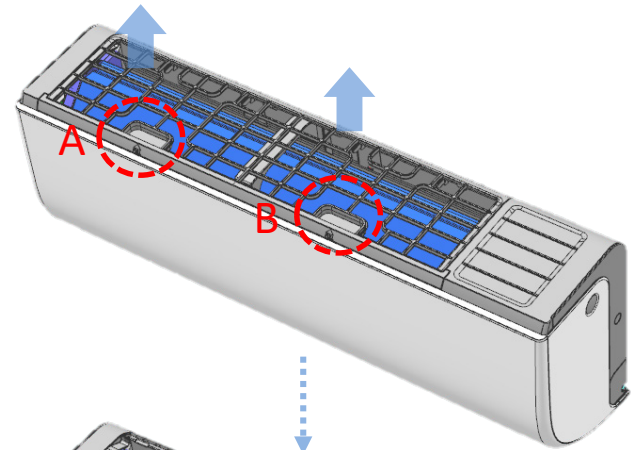
- ✓ How to Remove the filter
- ✓ How to Remove the horizontal louver
- ✓ How to hold the indoor unit for pipe connection
- ✓ How to Remove the panel assembly
- ✓ How to Remove the PCB
- ✓ Remove the Electronic control box
- ✓ Remove the Chassis assembly
- ✓ Remove the Evaporator assembly
- ✓ Next update before mass-production



How to Remove the filter

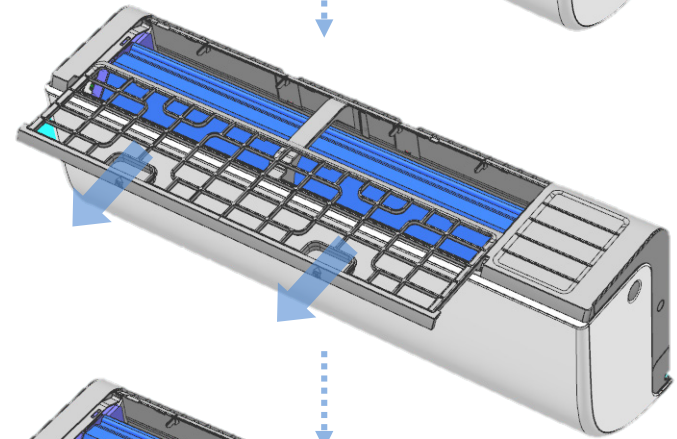
Step1:

Put your hands at A and B, lift the filter a little to loosen the fastener.



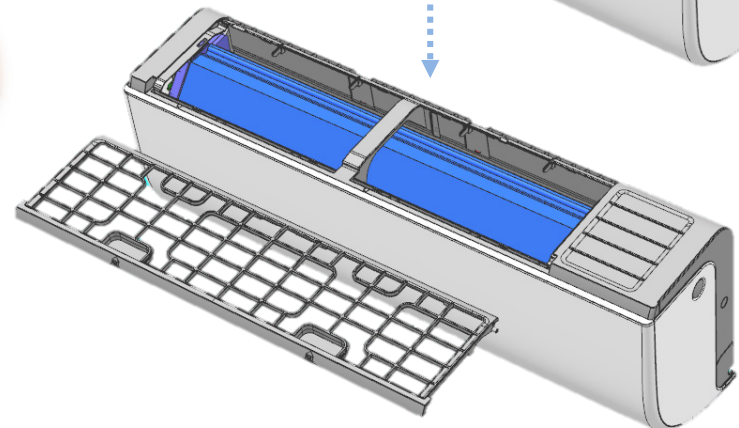
Step2:

Pull the filter gently along the horizontal direction.



Step3:

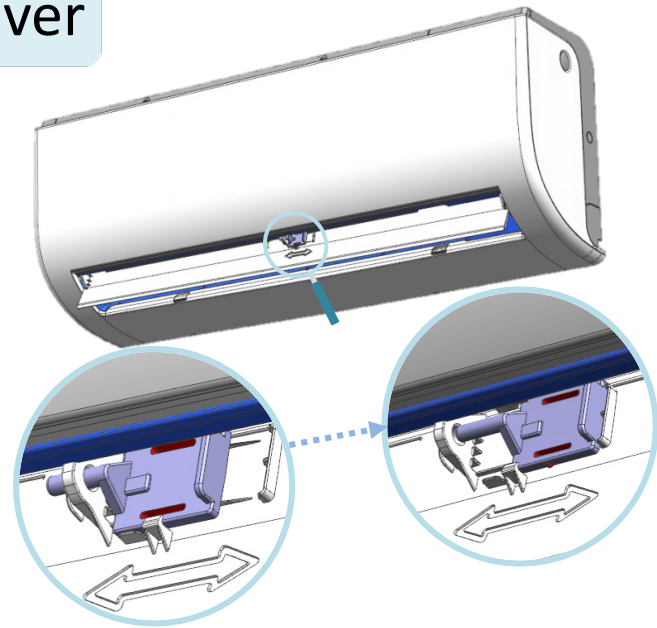
Pull out the filter.



How to Remove the horizontal louver

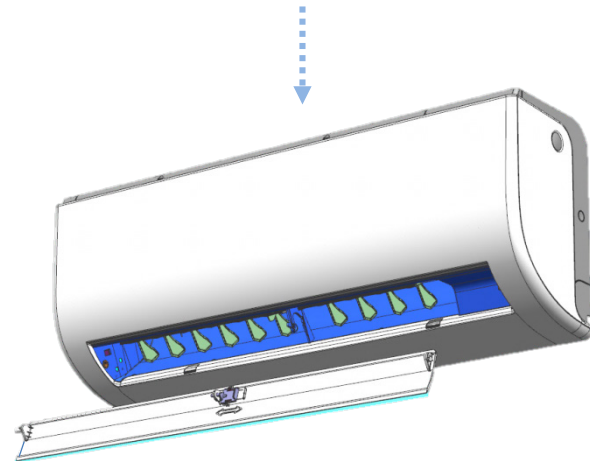
Step1:

Open the horizontal louver ,push the locker towards right to open it.



Step2:

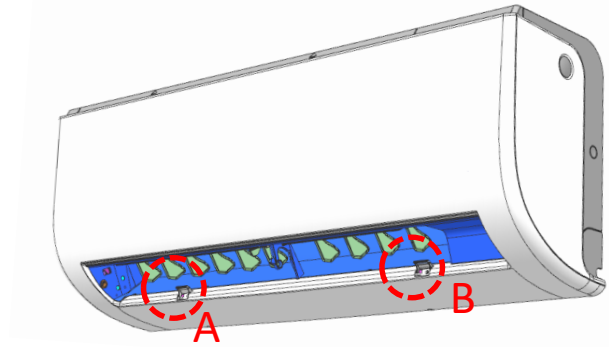
Bend the horizontal louver lightly, remove it from the indoor unit.



How to hold the indoor for piping connection

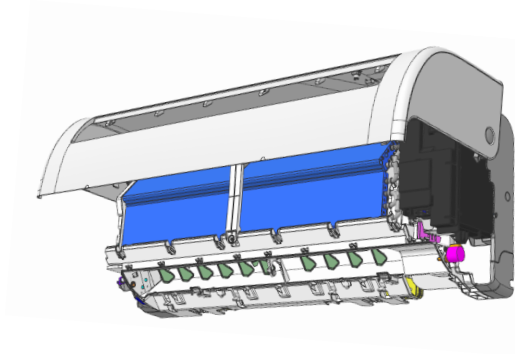
Step1:

Open the screw caps A and B, remove the two screws.



Step2:

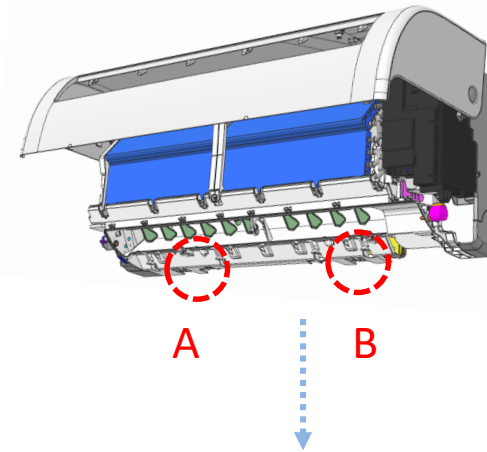
Open the panel assembly, move the slider to fix the panel.



How to hold the indoor for piping connection

Step3:

Press the locker A and B, to lose the indoor from the installation plate



Step4:

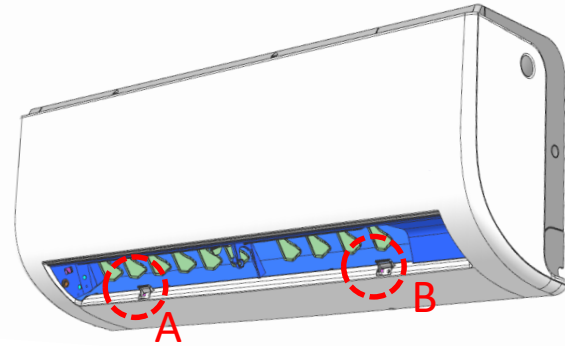
Unfold the supporter of Installation plate, then let it to hold the indoor unit, helpful to do pipe connection in the back



How to Remove the panel assembly

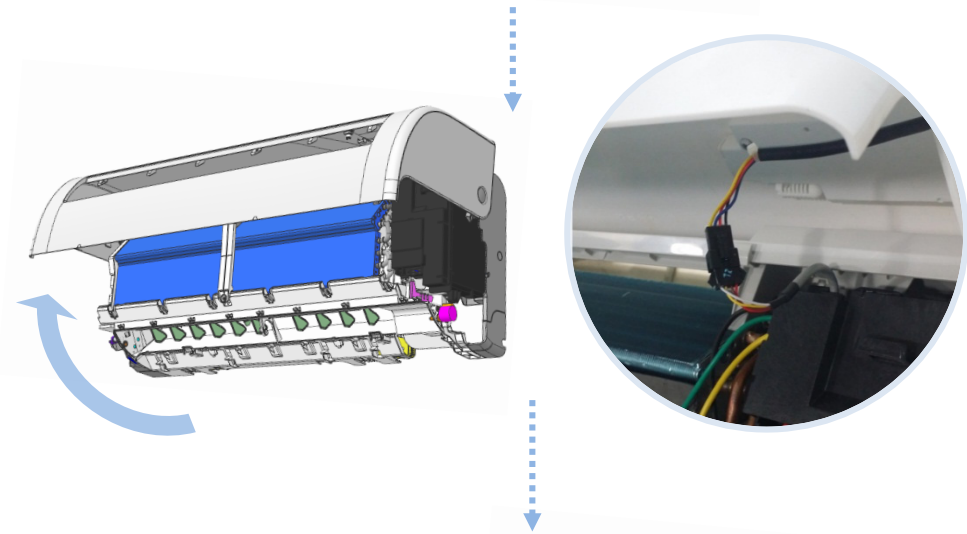
Step1:

Open the screw caps A and B, remove the two screws.



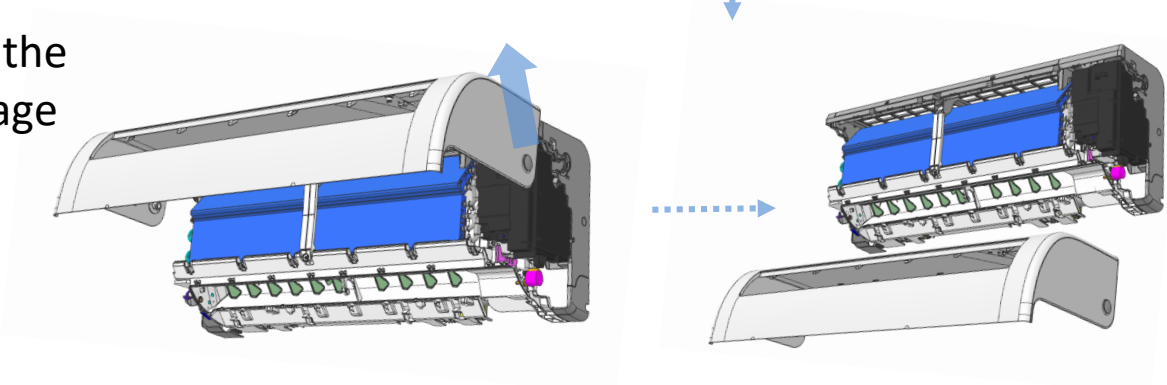
Step2:

Open the panel assembly, loosen the display board connector.



Step3:

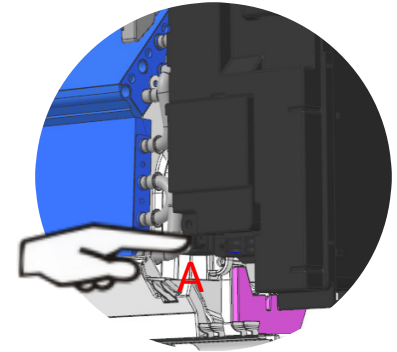
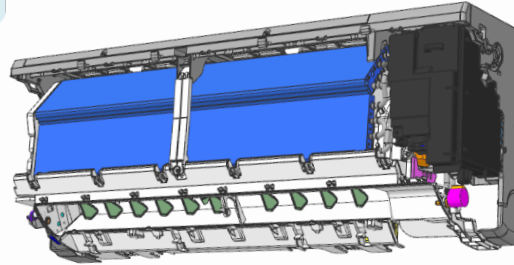
Pull the panel assembly along the direction indicated in right image to remove it.



How to Remove the PCB

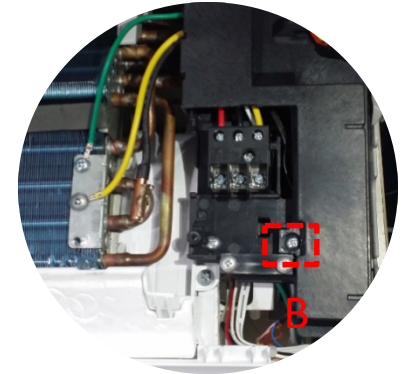
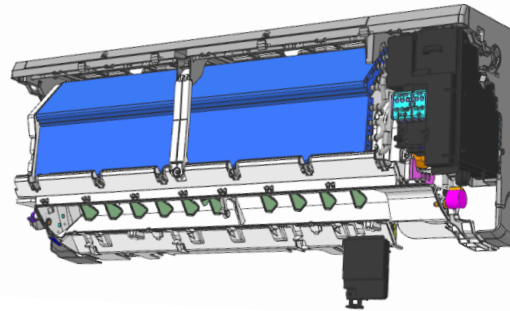
Step1:

Press A to remove the terminal cover.



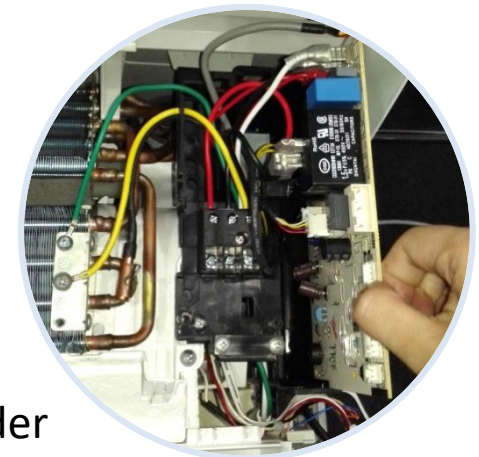
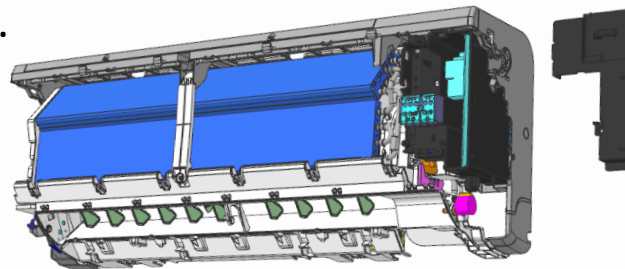
Step2:

Remove screw B to remove the cover of the electronic control box .



Step3:

Then you can remove the PCB.



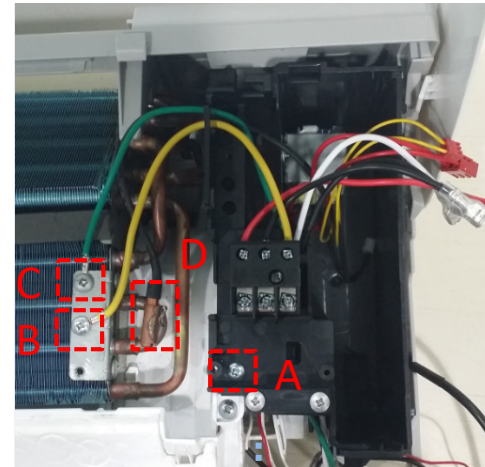
Note:

It is not necessary to remove the panel to remove the PCB. in order to show clearly inside, these pictures are without panel

How to Remove the Electrical control box

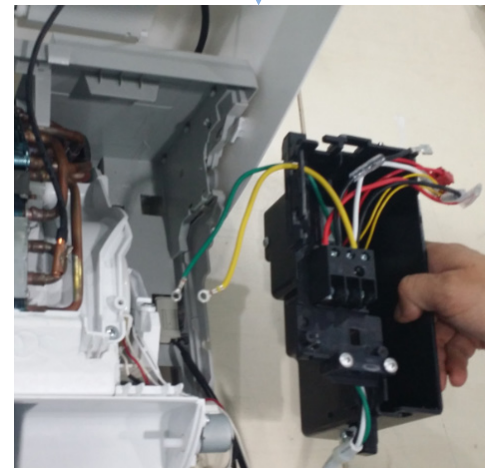
Step1:

Remove screw A,B,C, pull out the coil temp. sensor D from the sensor holders.



Step2:

pull out the Electrical control box.



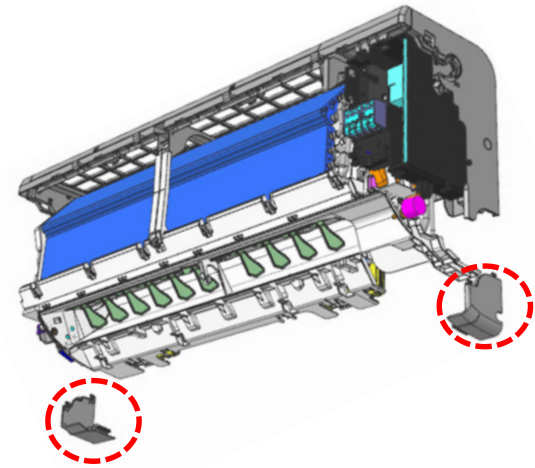
Note:

It is not necessary to remove the panel to remove the Electrical control box, in order to show clearly inside, these pictures are without panel

How to Remove the Chassis assembly

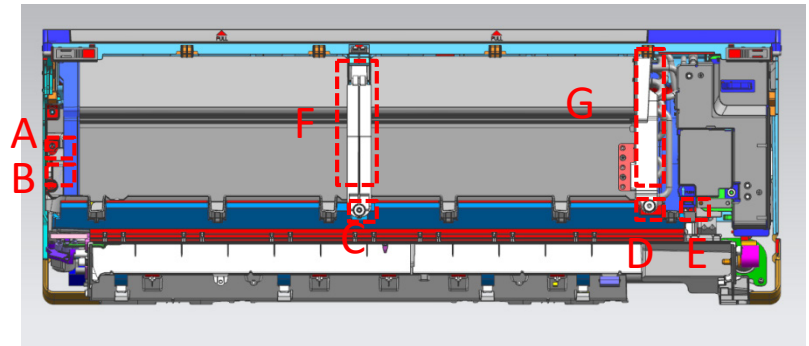
Step1:

Remove the left and right pipe cover.



Step2:

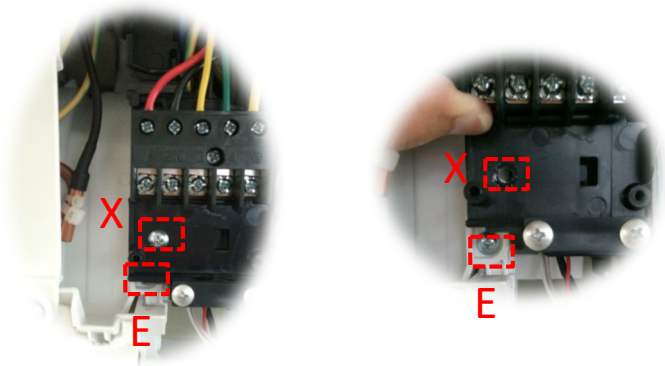
Remove the 5 screws A,B,C,D,E remove support part F and G.



Note:

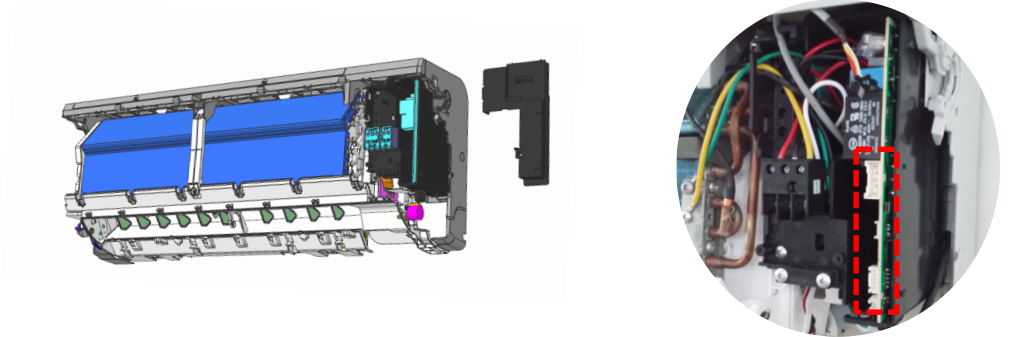
Screw E is behind the E-box by mistake for this sample, you need to remove screw X, to lift the E-box a little, Then you can remove the Screw E.

This problem will be solved before mass-production.



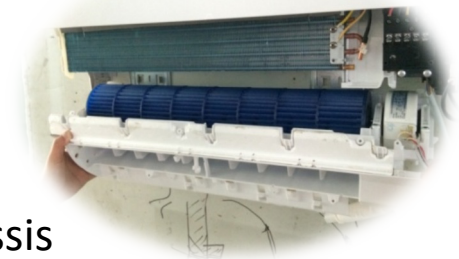
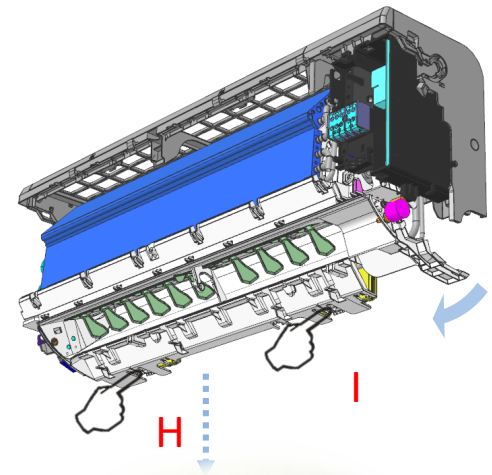
Step3:

Open the E-box, to lose the fan motor and louver motor connectors from the PCB.



Step4:

Press the locker H and I, to lose the indoor from the installation plate, lift it a little and pull out it along the direction indicated in right image.



Note:

It is not necessary to remove the panel to remove the Chassis assembly, in order to show clearly inside, these pictures are without panel

How to Remove the Evaporator assembly

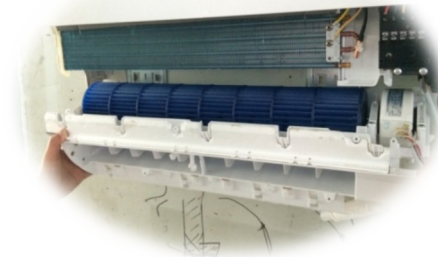
Step1:

Remove the Electric control box.



Step2:

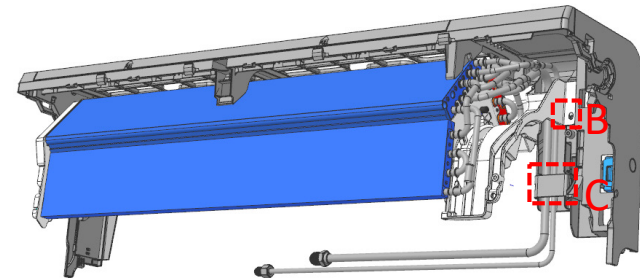
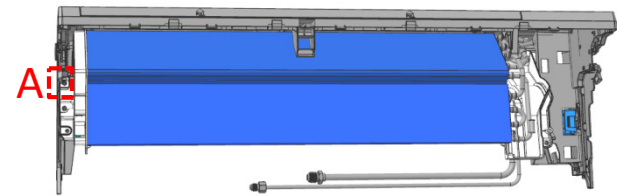
Remove the Chassis assembly



How to Remove the Evaporator assembly

Step3:

Unfold the Pipe clamp board C,
remove screw A and B.



Step4:

Pull out the evaporator.

